

ROTAPULS

Incremental encoders

Series

C58A • C58R



- Compact design, Ø 58 mm
- Through hollow shaft encoder
- Resolution up to 5000 pulses/rev.
- Feedback encoder for DC / AC motors
- C58A: fixing collar on front side
- C58R: fixing collar on back side



C58R • C58A

ENVIRONMENTAL SPECIFICATIONS

Shock:	100 g, 6 ms
Vibrations:	10 g, 5-2000 Hz
Protection:	IP64
Operating temperature range:	-25°C +85°C (-13°F +185°F)
Storage temperature range:	-25°C +85°C (-13°F +185°F) (98% R.H. without condensation)
Option:	<ul style="list-style-type: none"> • Operating temperature range: -40°C +100°C (-40°F +212°F) • IP65 Protection (3000 rpm max, torque 1 Ncm)

MECHANICAL SPECIFICATIONS

Dimensions:	see drawing
Hollow shaft diameter:	Ø 14, 15 mm
Shaft loading (axial, radial):	30 N max.
Shaft rotational speed:	6000 rpm max.
Starting torque at 20°C:	1 Ncm (typical)
Bearings life:	400 x 10 ⁶ rev. min. (10 ⁹ rev. min. with 20 N shaft loading max.)
Electrical connections:	M12, M23 plug or cable output 1 m (3.3 ft)
Weight:	~ 150 g (5,2 oz)
Option:	• additional cable

ELECTRICAL SPECIFICATIONS

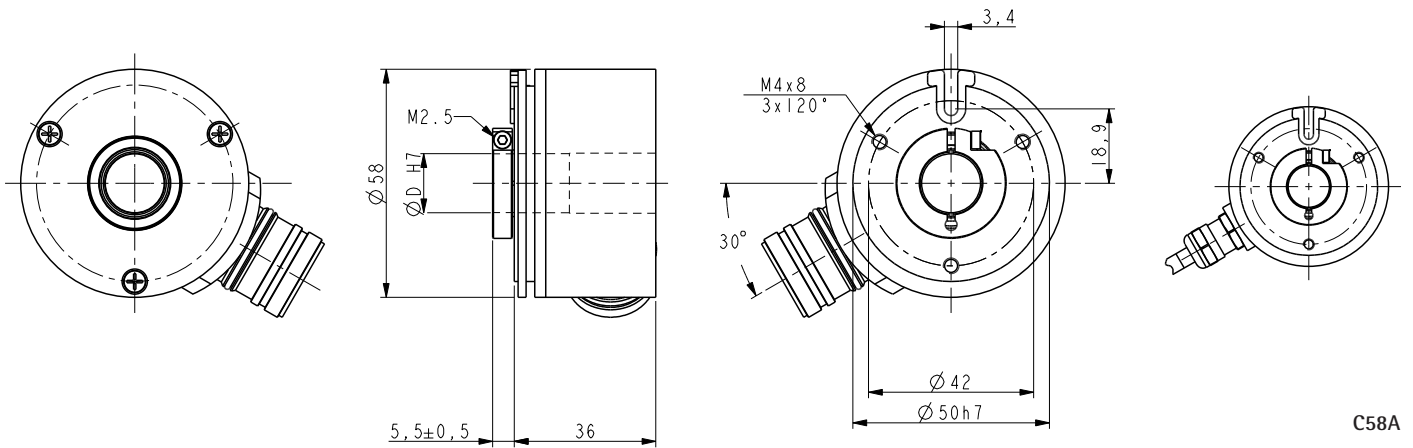
Resolution (PPR):	4-5-10-12-15-16-20-24-25-30-35-36-40-45-50-60-70 80-90-100-120-125-142-150-180-200-236-250-256 267-300-314-360-400-433-435-471-500-600-635-720 784-875-900-1000-1024-1250-1800-2000-2048-2500 3600-4000-4096-5000
Counting frequency:	100 kHz max.
Output circuits:	Push-Pull, Line Driver, Universal circuit
Power supply:	+5V±5%, +10V +30V, +5V +30V
Consumption:	70 mA (typical)
Output current (each channel):	40 mA max.
Protection:	against inversion of polarity and short-circuit (except L circuit)
EMC:	electro-magnetic immunity, according to: EN 61000-4-2 EN 61000-4-4
Optoelectronic life:	100.000 hrs min.
Option:	counting frequency up to 300 KHz

MATERIALS

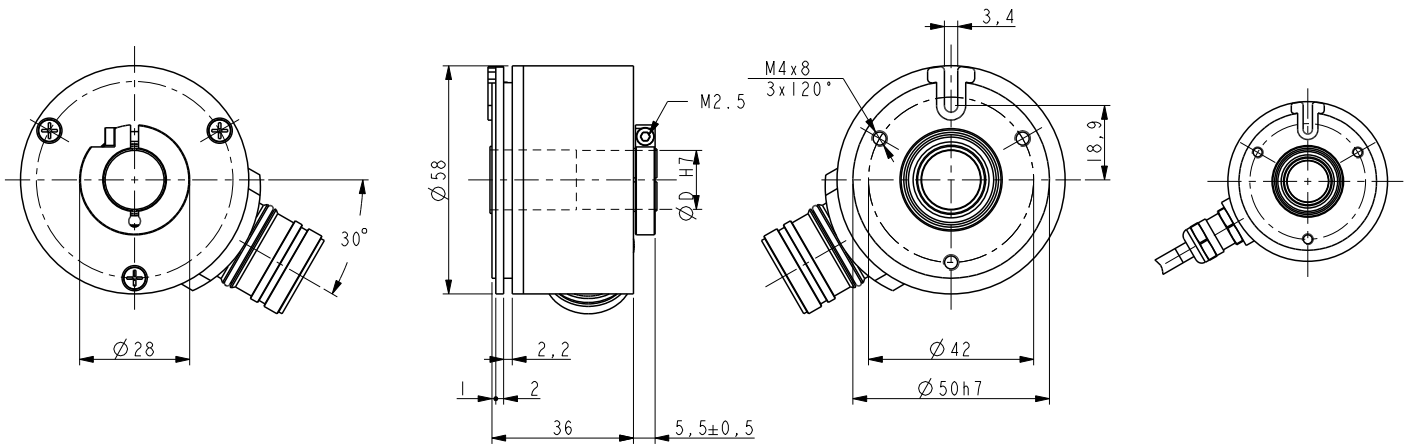
Flange:	anticorrosive, UNI EN AW-6082
Housing:	anticorrosive, UNI EN AW-6082
Bearings:	ABEC 5
Shaft:	stainless steel, non-magnetic - UNI EN 4305
Light source:	GaAl diodes

ACCESSORIES

EPFL 121:	12 pin M23 mating connector
EC-C12F-LK-I8-x:	cordset x meter with M23 conn.
EC-M12F8-LK-M8-5:	cordset 5 meters with M12 conn.
EDE9S:	9 pin DSub mating connector
BR1:	Reducing sleeves



C58A



C58R

Order code

C58A	-	X	-	XXXXX	XXX	X	XX	X	X	X	XX	/Sxxx
C58R		(a)		(b)	(c)	(d)	(e)	(f)	(g)	(h)	(i)	(j)

<p>(a) OUTPUT CIRCUITS Y = Push Pull L = Line Driver (RS422) H = PP/LD universal circuit</p> <p>(b) RESOLUTION (PPR) See electrical specifications</p>	<p>(c) OUTPUT SIGNALS / CONNECTIONS BNF = AB cable output BCU = AB, /AB cable output ZNF = ABO cable output ZCU = ABO, /ABO cable output BCZ = AB /AB, M23 12 pin plug ZCZ = ABO /ABO, M23 12 pin plug ZCM = ABO /ABO, M12 8 pin plug</p> <p>(d) SUPPLY VOLTAGE 1 = +5V±5% (L output circuit) 2 = +10V÷ +30V (Y output circuit) 4 = +5V÷ +30V (H output circuit)</p>	<p>(e) SHAFT DIAMETER 14 = 14 mm 15 = 15 mm</p> <p>(f) PROTECTION - = IP64 (standard) P = IP65</p> <p>(g) COUNTING FREQUENCY - = 100 kHz (standard) W = 300 kHz</p>	<p>(h) OPERATING TEMPERATURE - = -25°C +85°C (-13°F +185°F) standard K = -40°C +100°C (-40°F +212°F)</p> <p>(i) CABLE LENGTH (not with BCZ, ZCZ, ZCM) - = cable output 1 m (standard) L2 = cable output 2 m Lx = cable output x m CLx = x m cable with DSub 9 pin inline plug</p> <p>(j) CUSTOM VERSION</p>
--	--	--	--